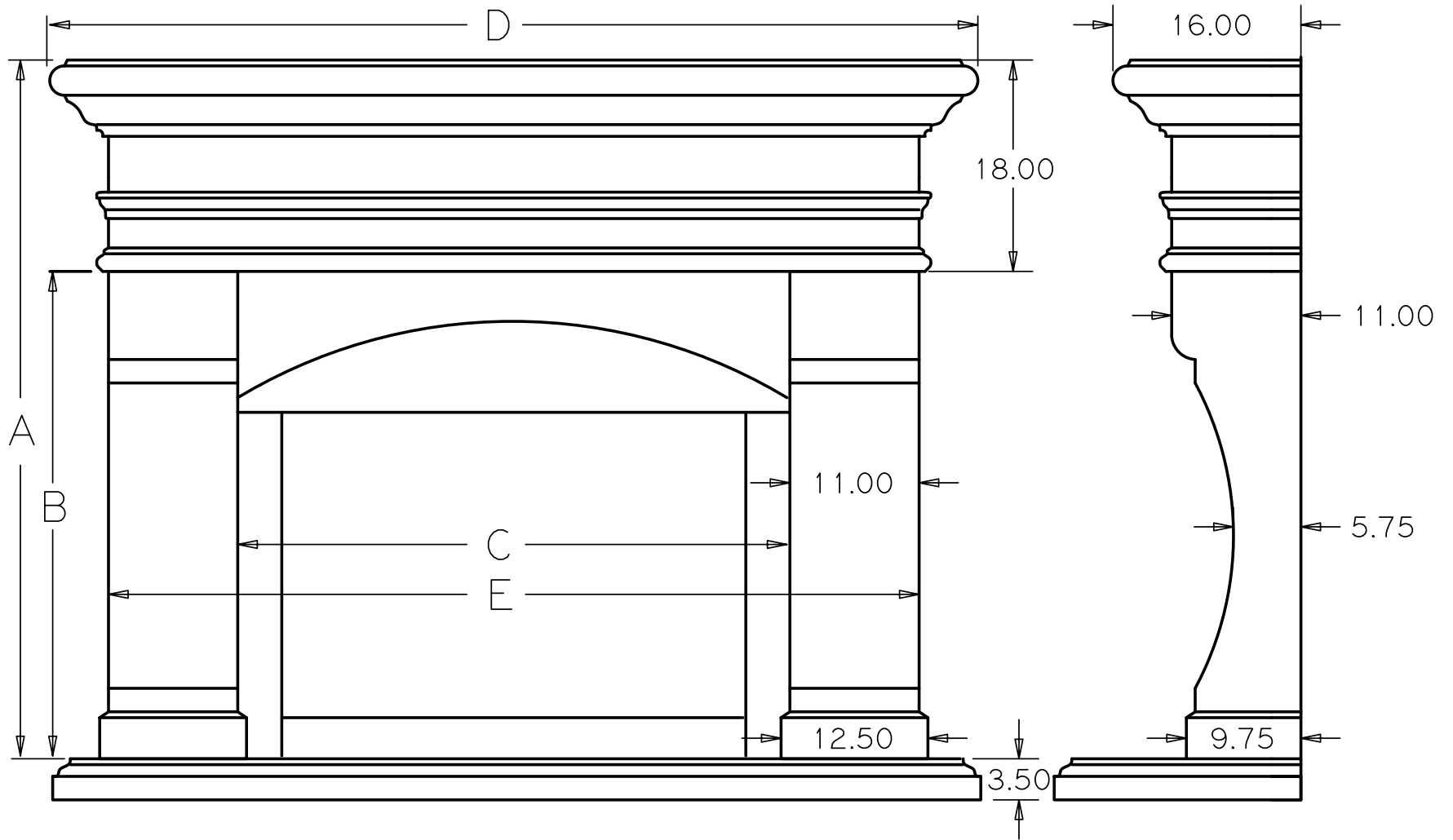


# MT500



Note: A, B, C, D, E depend on the size of the mantel you choose. See table for their values.